

Product: **Window Exhaust Fans**

Catalogue No: **E8WM**



Description: Window Exhaust Fan
with Ball Bearing Motor 200mm

Key Features

- Unobtrusive Design
- Continuous Running
- Economical

Description

These long-life fans are effective alternatives in buildings where ceiling fans cannot be used.

They can be installed quickly and economically in windows with a minimum thickness of 4mm.



Specifications

Size: 200mm diameter

Cut Out Size: 237mm (Dimension C in diagram)

Back Cover: 267mm (Dimension A in diagram)

Depth: 140mm (Dimension B in diagram)

Back Cover
Depth: 33mm (Dimension D in diagram)

Front Cover: 295mm (Dimension E in diagram)

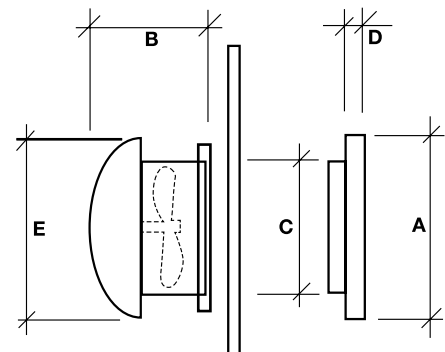
Air Movement: 261m³/HR

AMPs: 0.32

Watts: 40W

Motor: Ball Bearing Motor with Continuous Running

Colour: White Cover



Also Available: In other sizes:
175mm 250mm